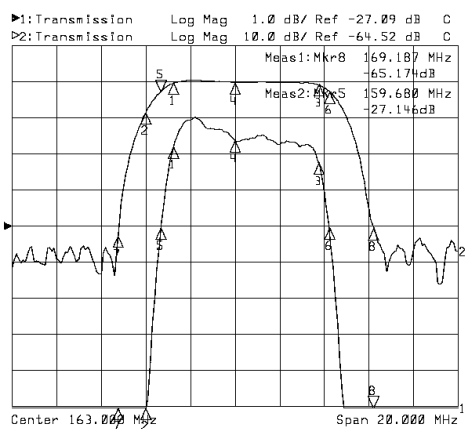


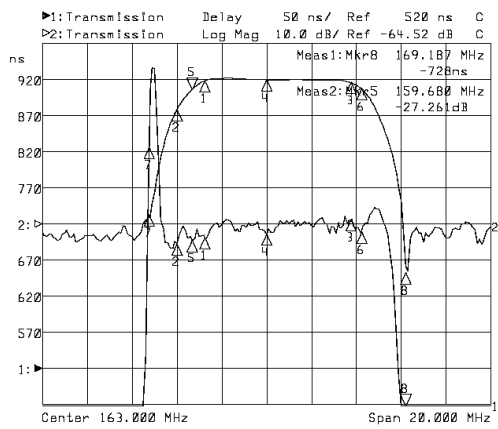
CATV VSB Filter For TV Modulator (PAL D/K)

Part Number ZCH7

Typical Performance



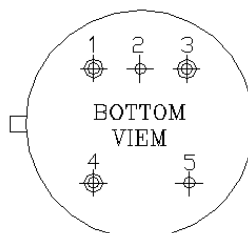
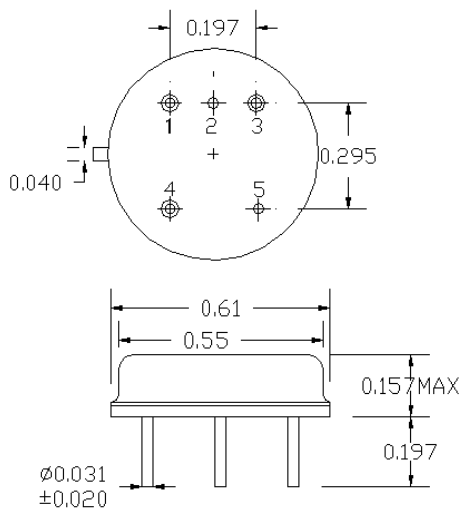
Horizontal: 2MHz/Div
Vertical: 1dB/Div&10dB/Div



Horizontal: 2MHz/Div
Vertical: 50nsec/Div&10dB/Div

Specifications				
Parameter	Unit	Minimum	Typical	Maximum
Center Frequency	MHz	162.90	163.00	163.10
Insertion Loss	dB		22.50	24.00
160.25MHz	dB		-0.50	-1.00
166.75MHz	dB		-1.00	-1.50
159.00MHz	dB	-12.00	-15.00	
Passband Variation	dB		0.80	1.00
Group Delay Variation	nsec		50	70
Absolute Delay	usec		0.70	0.72
Ultimate Rejection	dB	35	40	
Substrate Material	-		LiTaO3	
Ambient Temperature	°C	-40	25	80

Package SFA02



SFA02
 IN: 4
 OUT: 3
 GND: 1,2,5