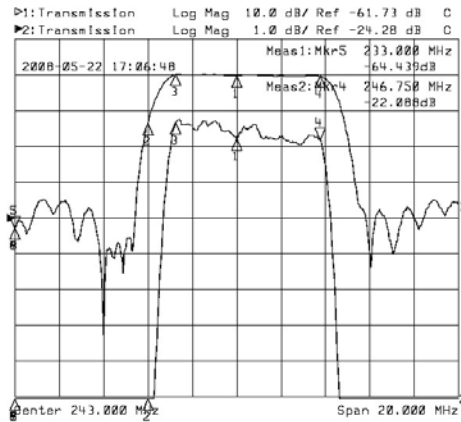


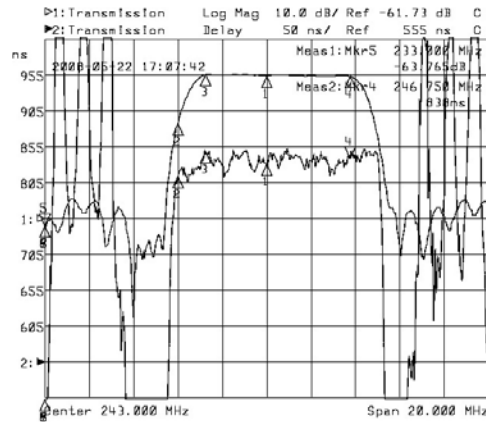
CATV VSB Filter for TV Modulator (PAL D/K)

Part Number ZCH10

Typical Performance



Horizontal: 2MHz/Div
Vertical: 1dB/Div&10dB/Div

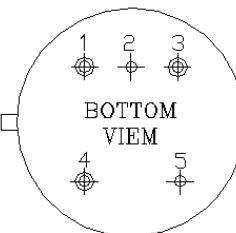
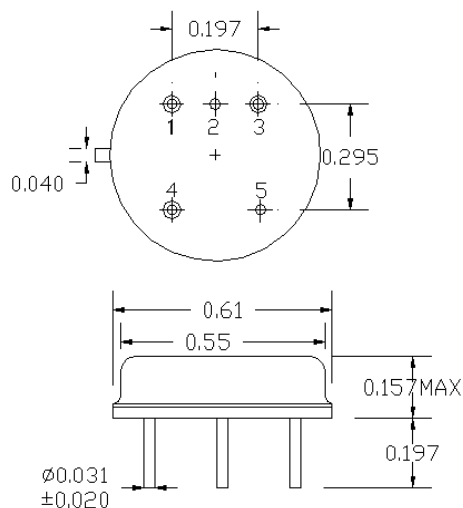


Horizontal: 2MHz/Div
Vertical: 50nsec/Div&10dB/Div

Specifications

Parameter	Unit	Minimum	Typical	Maximum
Center Frequency	MHz	242.50	243.00	243.50
Insertion Loss	dB		22.00	24.00
240.25MHz	dB		-0.80	-1.00
246.75MHz	dB		-0.80	-1.00
239.00MHz	dB	-12.00	-15.00	
Passband Variation	dB		0.80	1.10
Group Delay Variation	nsec		40	60
Absolute Delay	usec		0.83	
Ultimate Rejection	dB	35	38	
Substrate Material	-		128-LiNbO3	
Ambient Temperature	°C	-40	25	80

Package SFA02



SFA02
IN: 4
OUT: 3
GND: 1,2,5