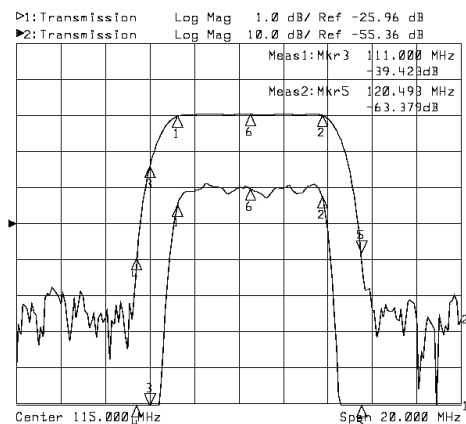


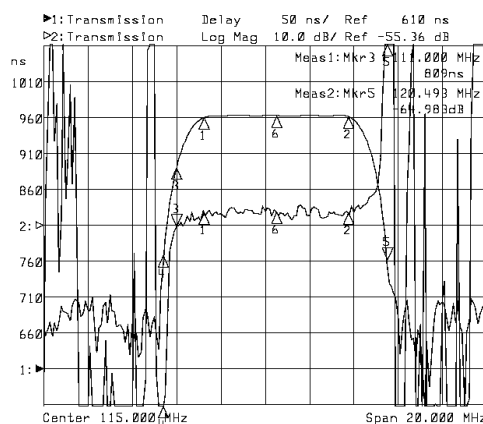
# CATV VSB Filter For TV Modulator (PAL D/K)

## Part Number ZCH1

### Typical Performance



Horizontal: 2MHz/Div  
Vertical: 1dB/Div&10dB/Div

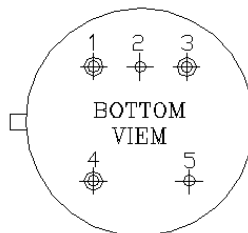
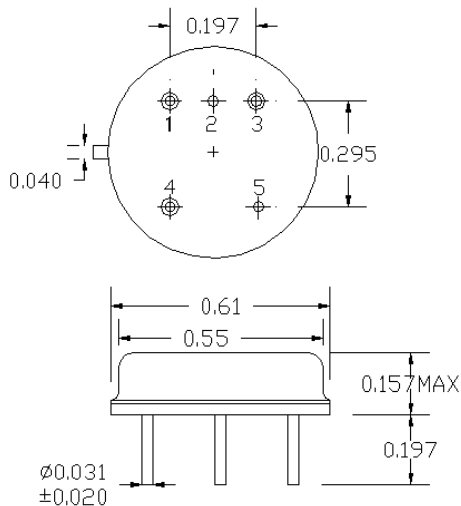


Horizontal: 2MHz/Div  
Vertical: 50nsec/Div&10dB/Div

### Specifications

Parameter	Unit	Minimum	Typical	Maximum
Center Frequency	MHz	114.90	115.00	115.10
Insertion Loss	dB		24.00	25.00
112.25MHz	dB		-0.50	-1.00
118.75MHz	dB		-0.80	-1.20
111.00MHz	dB	-13.00	-15.00	
Passband Variation	dB		0.50	0.80
Group Delay Variation	nsec		30	50
Absolute Delay	usec		0.80	0.82
Ultimate Rejection	dB	40	45	
Substrate Material	-		112-LiTaO3	
Ambient Temperature	°C	-40	25	80

### Package SFA02



SFA02  
 IN: 4  
 OUT: 3  
 GND: 1,2,5