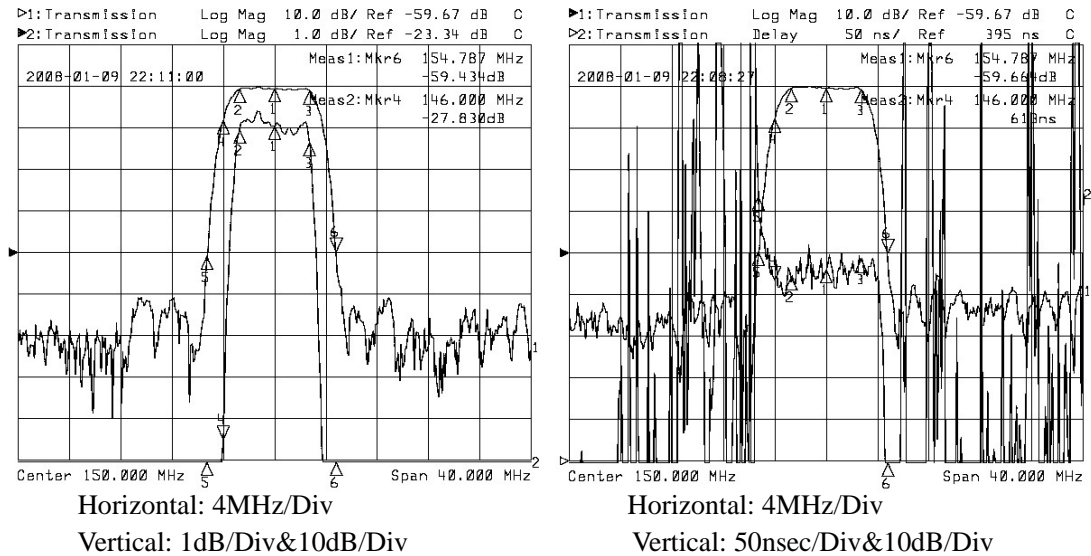


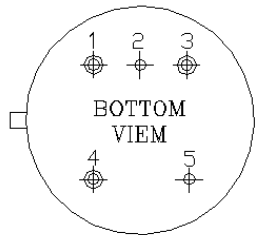
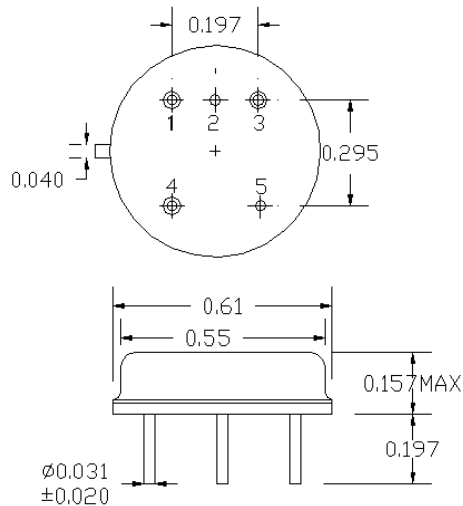
CATV VSB Filter For TV Modulator (PAL B/G)

Part Number S7

Typical Performance



Specifications				
Parameter	Unit	Minimum	Typical	Maximum
Center Frequency	MHz	149.50	150.00	150.50
Insertion Loss	dB		20.00	21.00
147.25MHz	dB		-0.50	-1.00
152.75MHz	dB		-0.80	-1.50
145.75MHz	dB	-15.00	-20.00	
154.25MHz	dB	-15.00	-18.00	
Passband Variation	dB		0.50	1.00
Group Delay Variation	nsec		70	100
Absolute Delay	usec		0.62	
Ultimate Rejection	dB	48	50	
Substrate Material	-		LiTaO3	
Ambient Temperature	°C		25	
Package		SFA02		



SFA02
IN: 4
OUT: 3
GND: 1,2,5