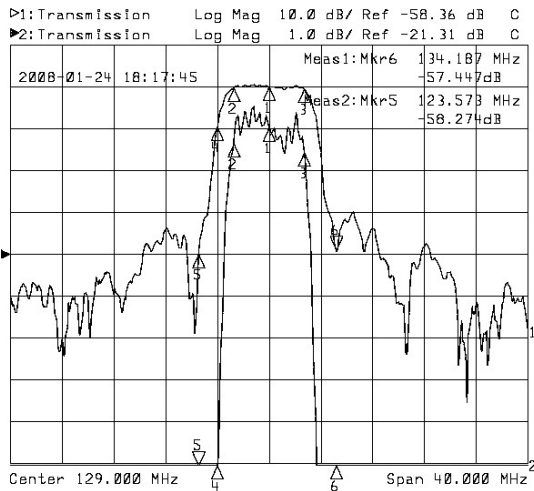


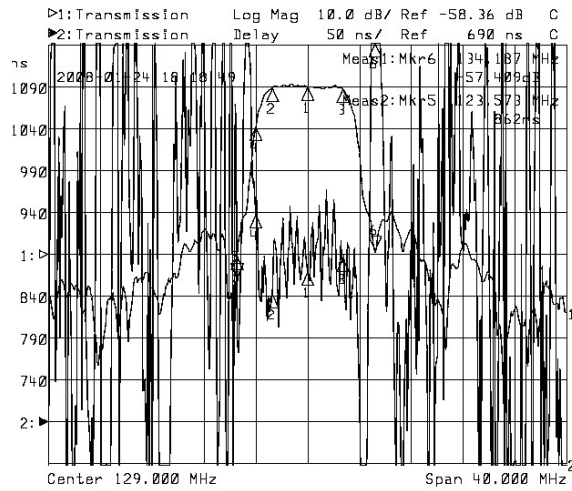
CATV VSB Filter For TV Modulator (PAL B/G)

Part Number S4

Typical Performance

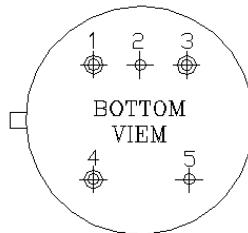
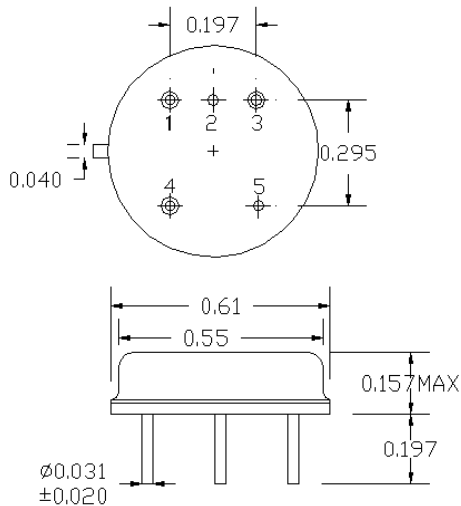


Horizontal: 4MHz/Div
Vertical: 1dB/Div&10dB/Div



Horizontal: 4MHz/Div
Vertical: 50nsec/Div&10dB/Div

Specifications				
Parameter	Unit	Minimum	Typical	Maximum
Center Frequency	MHz	128.50	129.00	129.50
Insertion Loss	dB		20.00	21.50
126.25MHz	dB		-0.50	-1.00
131.75MHz	dB		-0.50	-1.50
124.75MHz	dB	-10.00	-13.00	
133.25MHz	dB	-12.00	-15.00	
Passband Variation	dB		0.70	1.00
Group Delay Variation	nsec		200	250
Absolute Delay	usec		0.87	
Ultimate Rejection	dB	30	35	
Substrate Material	-		128-LiNbO3	
Ambient Temperature	°C		25	
Package		SFA02		



SFA02
 IN: 4
 OUT: 3
 GND: 1,2,5