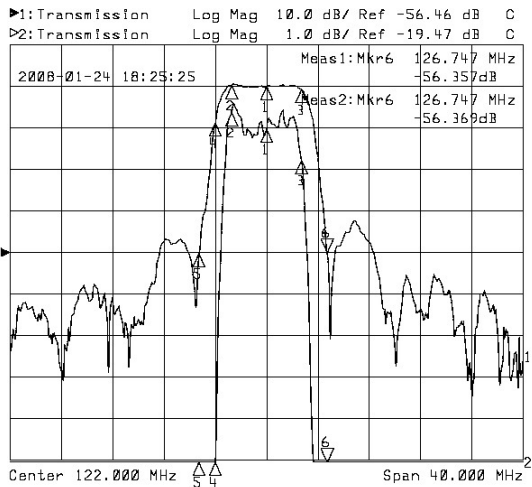


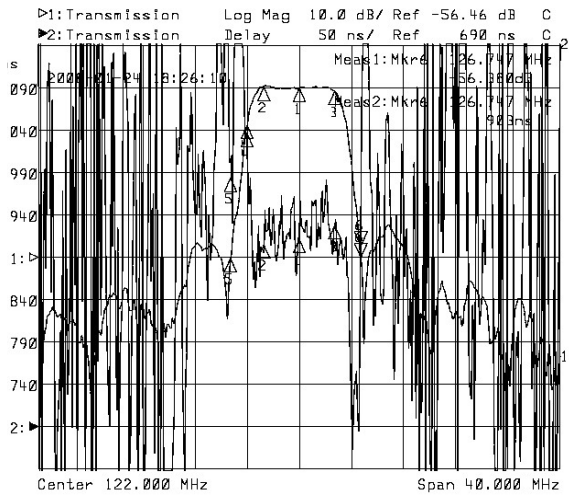
# CATV VSB Filter For TV Modulator (PAL B/G)

## Part Number S3

### Typical Performance

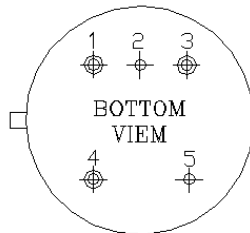
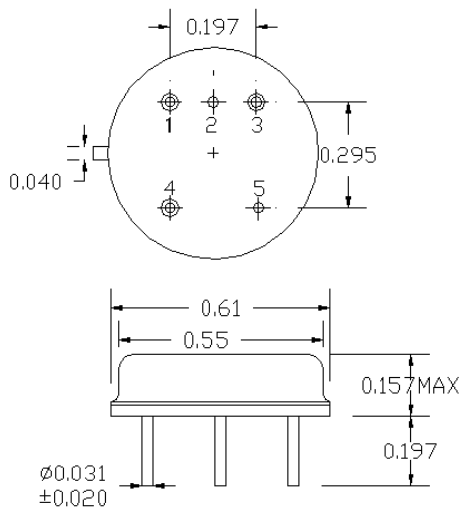


Horizontal: 4MHz/Div  
Vertical: 1dB/Div&10dB/Div



Horizontal: 4MHz/Div  
Vertical: 50nsec/Div&10dB/Div

Specifications				
Parameter	Unit	Minimum	Typical	Maximum
Center Frequency	MHz	121.50	122.00	122.50
Insertion Loss	dB		20.00	22.00
119.25MHz	dB		-0.50	-1.00
124.75MHz	dB		-0.70	-1.50
117.75MHz	dB	-10.00	-13.00	
126.25MHz	dB	-10.00	-14.00	
Passband Variation	dB		0.70	1.00
Group Delay Variation	nsec		100	150
Absolute Delay	usec		0.91	
Ultimate Rejection	dB	32	35	
Substrate Material	-		128-LiNbO3	
Ambient Temperature	°C		25	
<b>Package</b>		<b>SFA02</b>		



SFA02  
IN: 4  
OUT: 3  
GND: 1,2,5