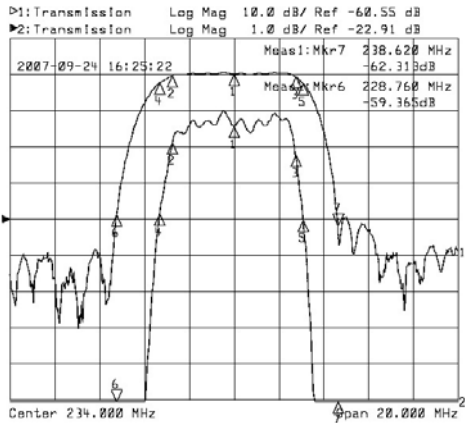
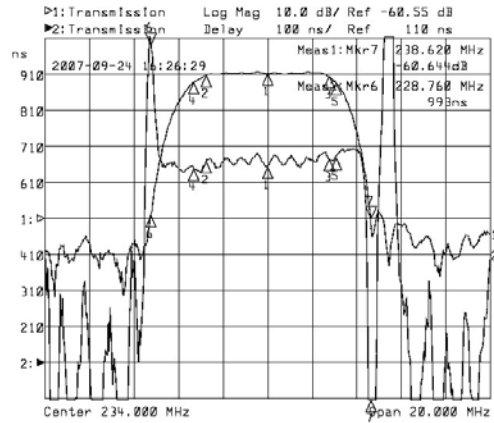


Part Number S11 (PAL-B/G)

**Typical Performance**



Horizontal: 2MHz/Div  
Vertical: 1dB/Div&10dB/Div

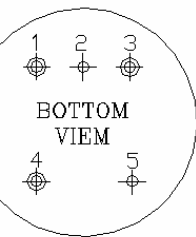
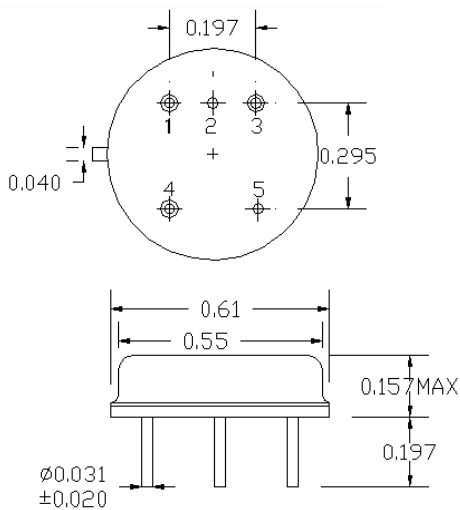


Horizontal: 2MHz/Div  
Vertical: 100nsec/Div&10dB/Div

**Specifications**

Parameter	Unit	Minimum	Typical	Maximum
Center Frequency	MHz	233.90	234.00	234.10
Insertion Loss	dB		20.50	21.00
231.25MHz	dB		-0.50	-1.00
236.75MHz	dB		-0.50	-1.00
Passband Variation	dB		0.50	0.80
Group Delay Variation	nsec		40	80
Absolute Delay	usec		0.65	
Ultimate Rejection	dB		40	
Substrate Material	-		112-LiTaO3	
Ambient Temperature	°C	-40	25	80

**Package SFA02**



SFA02  
IN: 4  
OUT: 3  
GND: 1,2,5