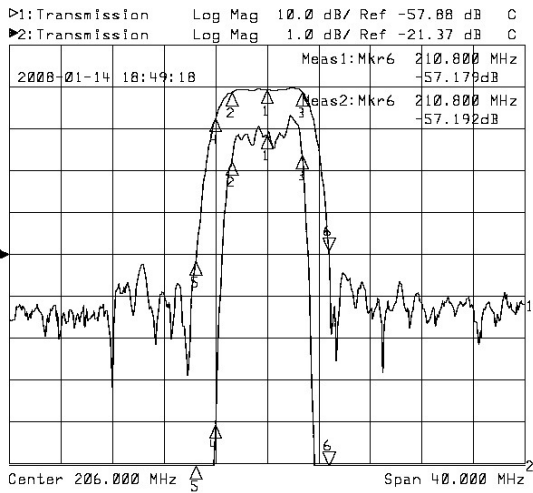


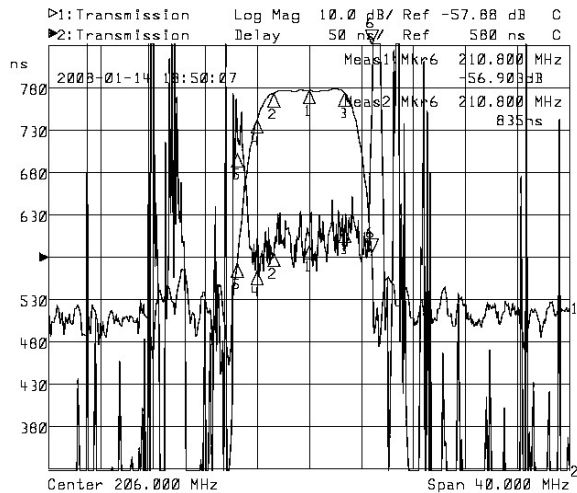
CATV VSB Filter For TV Modulator (PAL B/G)

Part Number P9

Typical Performance

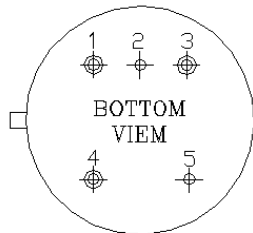
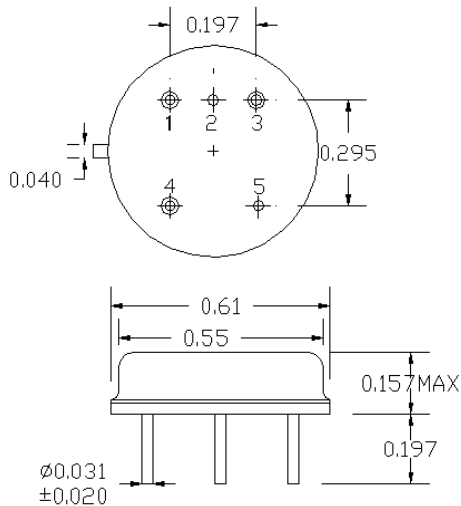


Horizontal: 4MHz/Div
Vertical: 1dB/Div&10dB/Div



Horizontal: 4MHz/Div
Vertical: 50nsec/Div&10dB/Div

Specifications				
Parameter	Unit	Minimum	Typical	Maximum
Center Frequency	MHz	205.50	206.00	206.50
Insertion Loss	dB		18.50	20.50
203.25MHz	dB		-0.50	-1.20
208.75MHz	dB		-0.80	-1.50
201.75MHz	dB	-8.00	-11.00	
210.25MHz	dB	-10.00	-12.00	
Passband Variation	dB		0.70	1.00
Group Delay Variation	nsec		50	100
Absolute Delay	usec		0.62	
Ultimate Rejection	dB	42	45	
Substrate Material	-		LiTaO3	
Ambient Temperature	°C		25	
Package		SFA02		



SFA02
 IN: 4
 OUT: 3
 GND: 1,2,5