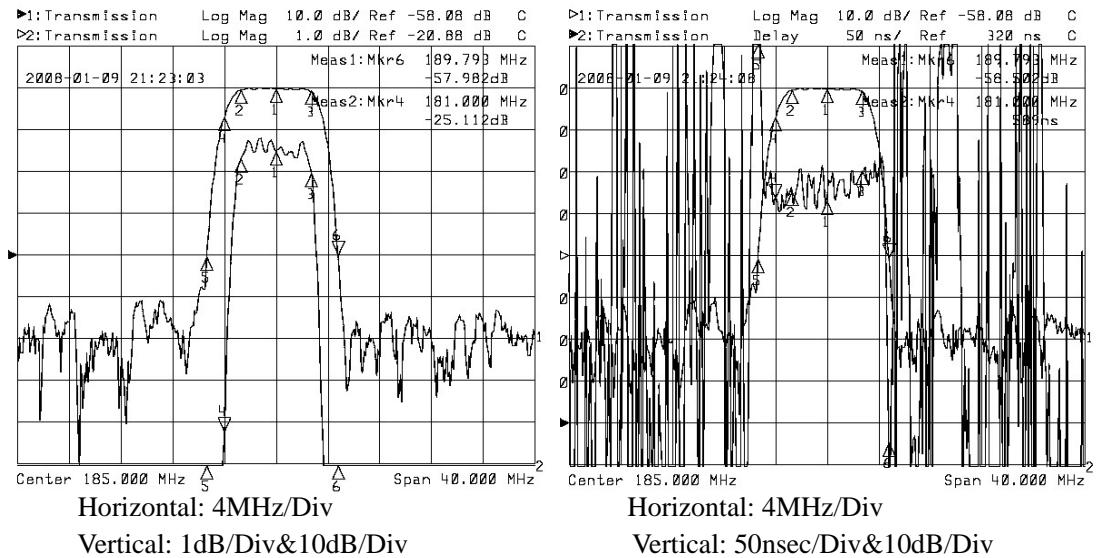


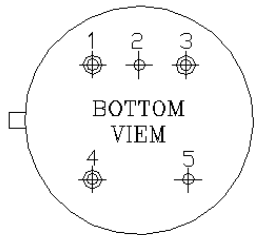
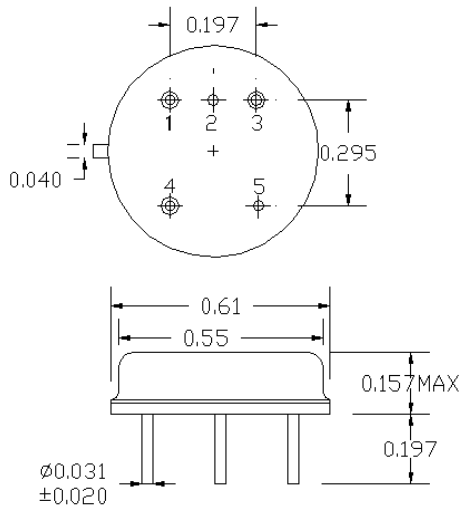
CATV VSB Filter For TV Modulator (PAL B/G)

Part Number P6

Typical Performance



Specifications				
Parameter	Unit	Minimum	Typical	Maximum
Center Frequency	MHz	184.50	185.00	185.50
Insertion Loss	dB		19.00	20.50
182.25MHz	dB		-0.50	-1.00
187.75MHz	dB		-0.70	-1.50
180.75MHz	dB	-10.00	-13.00	
189.25MHz	dB	-10.00	-13.00	
Passband Variation	dB		0.50	1.00
Group Delay Variation	nsec		50	100
Absolute Delay	usec		0.59	
Ultimate Rejection	dB	50	52	
Substrate Material	-		LiTaO3	
Ambient Temperature	°C		25	
Package		SFA02		



SFA02
 IN: 4
 OUT: 3
 GND: 1,2,5