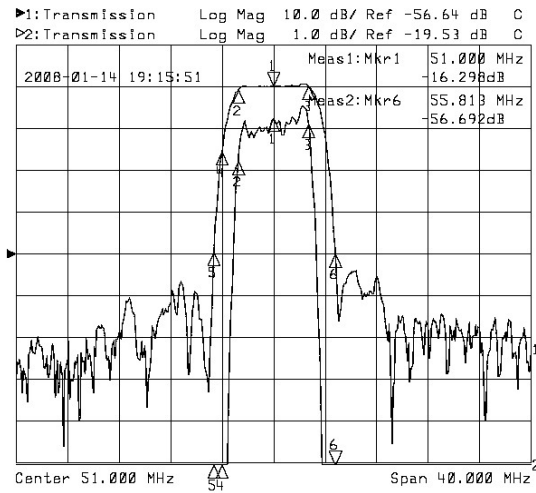


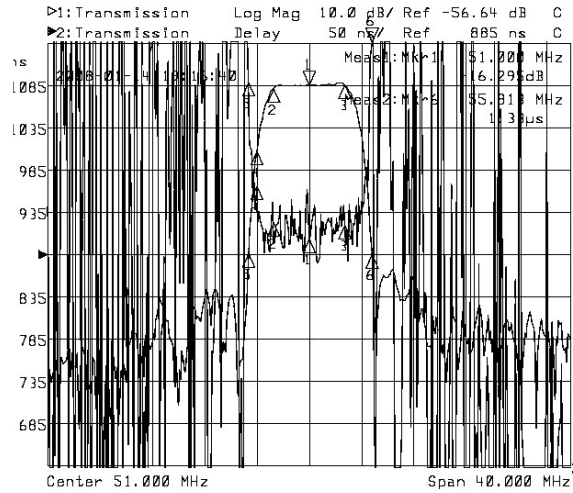
CATV VSB Filter For TV Modulator (PAL B/G)

Part Number P2

Typical Performance

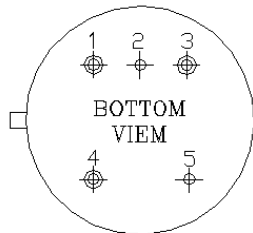
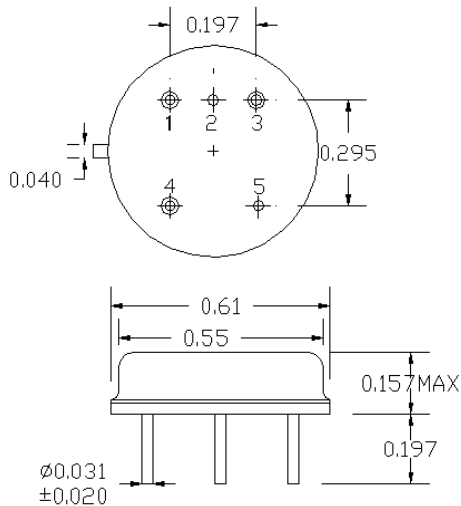


Horizontal: 4MHz/Div
Vertical: 1dB/Div&10dB/Div



Horizontal: 4MHz/Div
Vertical: 50nsec/Div&10dB/Div

Specifications				
Parameter	Unit	Minimum	Typical	Maximum
Center Frequency	MHz	50.50	51.00	51.50
Insertion Loss	dB		17.00	20.50
48.25MHz	dB		-0.50	-1.20
53.75MHz	dB		-0.50	-1.20
46.75MHz	dB	-18.00	-20.00	
55.25MHz	dB	-18.00	-20.00	
Passband Variation	dB		0.70	1.00
Group Delay Variation	nsec		70	100
Absolute Delay	usec		0.90	
Ultimate Rejection	dB	42	45	
Substrate Material	-		128-LiNbO3	
Ambient Temperature	°C		25	
Package		SFA02		



SFA02
 IN: 4
 OUT: 3
 GND: 1,2,5