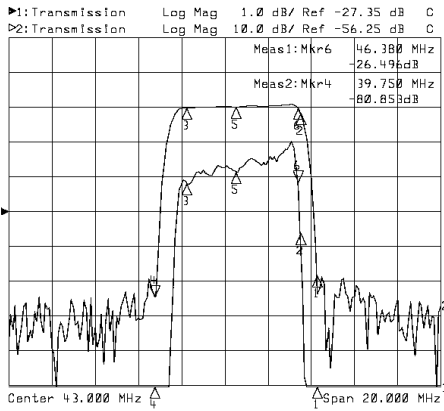


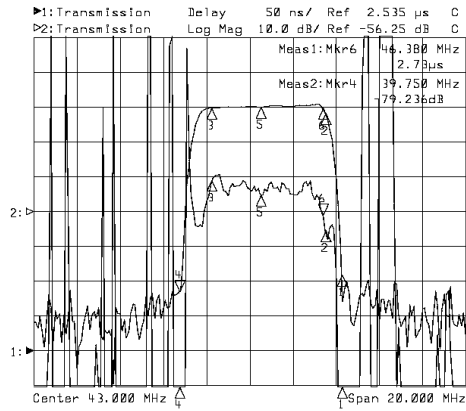
# 43.5MHz CATV Filter

## Part Number LBN45.75-5E (4.5MHz)

### Typical Performance



Horizontal: 2MHz/Div  
Vertical: 1dB/Div&10dB/Div

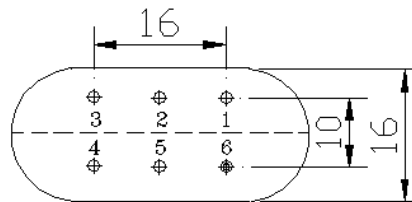
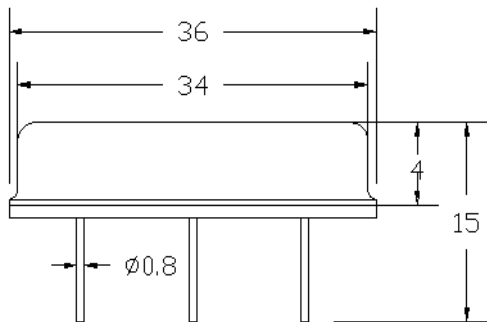


Horizontal: 2MHz/Div  
Vertical: 50nsec/Div&10dB/Div

### Specifications

Parameter	Unit	Minimum	Typical	Maximum
Center Frequency	MHz	39.90	44.00	44.10
Insertion Loss at F0	dB		26.50	27.00
@46.50MHz	dB		-2.50	-3.50
@41.25MHz	dB		-0.50	-1.50
@47.25MHz	dB		50.00	51.20
Passband Variation	dB		1.0	1.50
Group Delay Variation	nsec		50	80
Absolute Delay	usec		2.80	2.85
Ultimate Rejection	dB	48	50	
Substrate Material	-		YZ-LiNbO3	
Ambient Temperature	°C	-40	25	80

### Package



BOTTOM VIEW  
 IN:1 OUT:4  
 GND: 2,3,5,6