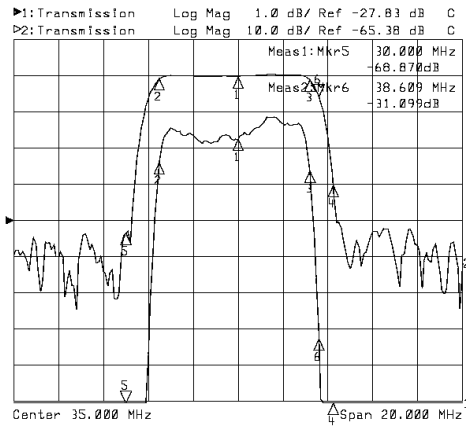


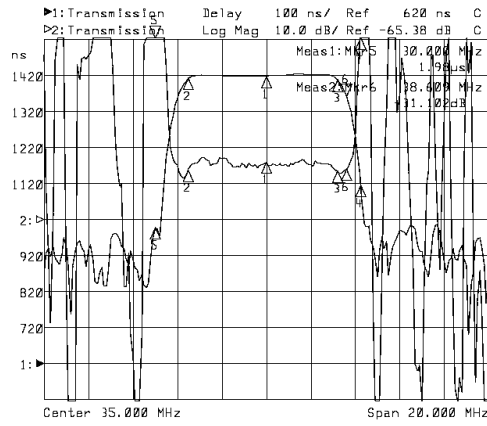
35MHz CATV Filter

Part Number LBN38-8M

Typical Performance



Horizontal: 2MHz/Div
Vertical: 1dB/Div&10dB/Div

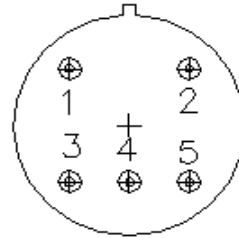
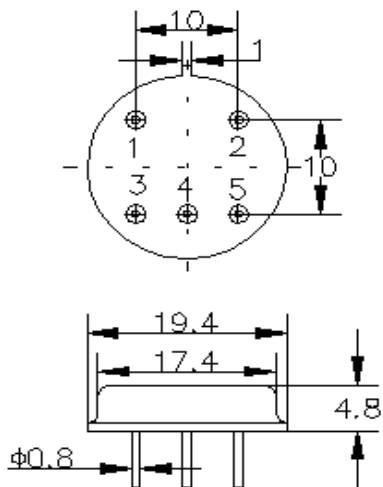


Horizontal: 2MHz/Div
Vertical: 100nsec/Div&10dB/Div

Specifications

Parameter	Unit	Minimum	Typical	Maximum
Center Frequency	MHz	34.90	35.00	35.10
Insertion Loss at F0	dB		25.60	26.00
@31.50MHz	dB	-0.50	-1.50	
@38.20MHz	dB	-0.70	-1.80	
@39.25MHz	dB		-31.00	-32.00
@30.00MHz	dB		-40.00	-41.00
Passband Variation	dB		0.80	1.00
Group Delay Variation	nsec		50	70
Absolute Delay	usec		1.20	1.25
Ultimate Rejection	dB	38	40	
Substrate Material	-		128LiNbO3	
Ambient Temperature	°C	-40	25	80

Package TO-10



BOTTOM VIEW
IN:5 OUT:3
GND: 1 2 4