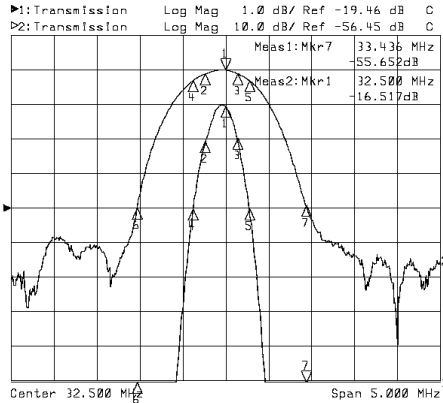


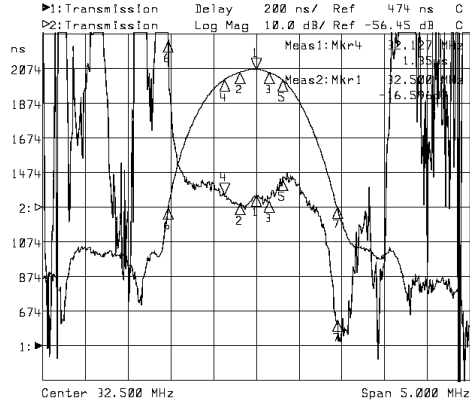
32.5MHz CATV Filter

Part Number LBD32.5

Typical Performance



Horizontal: 0.5MHz/Div
Vertical: 1dB/Div&10dB/Div

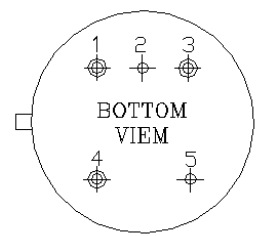
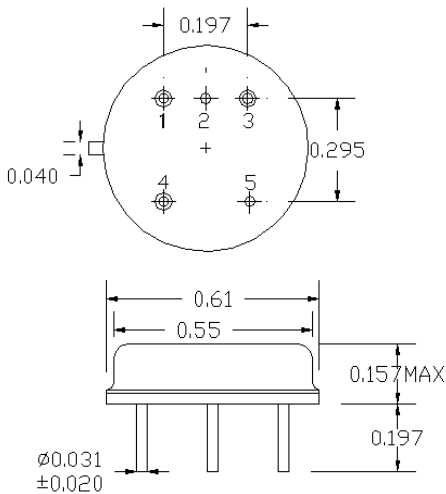


Horizontal: 0.5MHz/Div
Vertical: 200nsec/Div&10dB/Div

Specifications

Parameter	Unit	Minimum	Typical	Maximum
Center Frequency	MHz	32.30	32.50	32.70
Insertion Loss at F0	dB		17.00	17.50
1 dB Bandwidth	MHz	0.35	0.40	
3 dB Bandwidth	MHz	0.60	0.70	
40dB Bandwidth	MHz		1.95	2.00
Passband Variation	dB		0.20	0.30
Group Delay Variation	nsec		100	200
Absolute Delay	usec		1.30	
Ultimate Rejection	dB	48	50	
Substrate Material	-		112-LiTaO3	
Ambient Temperature	°C		25	

Package



SFA02
 IN: 4
 OUT: 3
 GND: 1,2,5