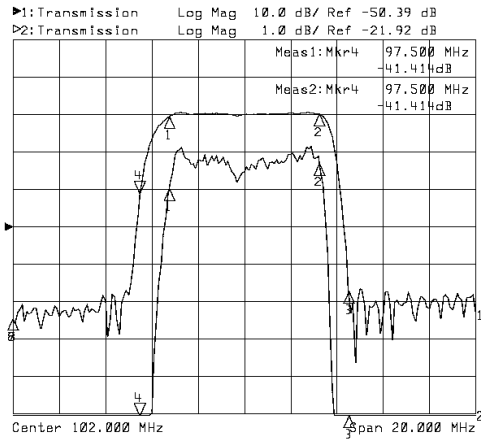


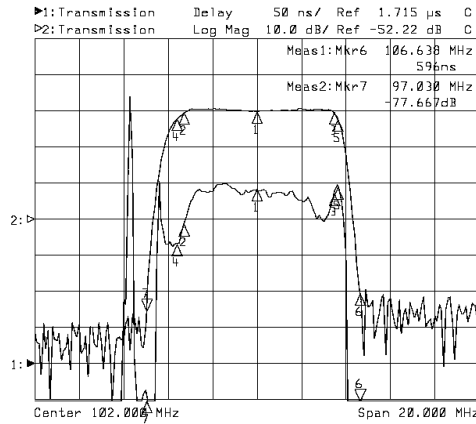
102MHz CATV Filter

Part Number F102065

Typical Performance



Horizontal: 2MHz/Div
Vertical: 10dB/Div

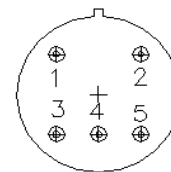
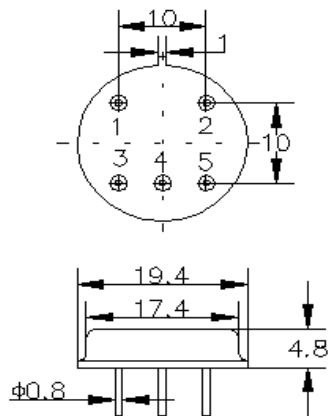


Horizontal: 2MHz/Div
Vertical: 50nsec/Div

Specifications

Parameter	Unit	Minimum	Typical	Maximum
Center Frequency	MHz	101.90	102.00	102.10
Insertion Loss at F ₀	dB		20.50	21.50
@98.75MHz	dB	-0.86	-1.00	
@105.25MHz	dB		-0.50	-1.00
@97.5MHz	dB		-20.00	-25.00
@106.5MHz	dB		-40.00	-50.00
Passband Variation	dB		0.80	1.00
Group Delay Variation	nsec		50	70
Absolute Delay	usec		1.50	1.52
Ultimate Rejection	dB	48	50	
Substrate Material	-		YZ-LiNbO3	
Ambient Temperature	°C	-40	25	80

Package T0-10



BOTTOM VIEW
 IN:5 OUT:3
 GND: 1 2 4