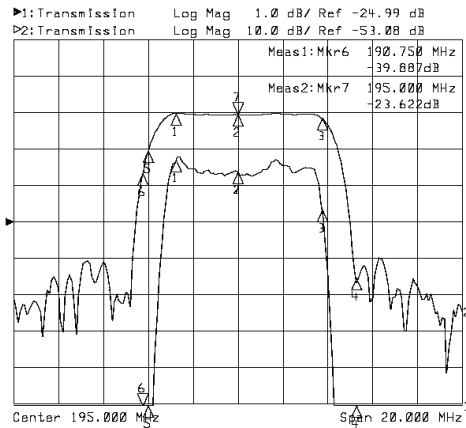


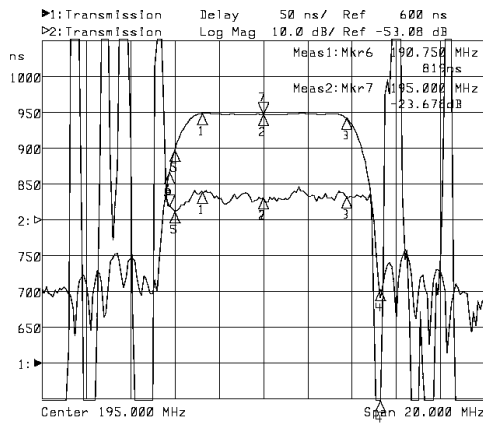
CATV VSB Filter For TV Modulator (PAL D/K)

Part Number CH9B

Typical Performance



Horizontal: 2MHz/Div
Vertical: 1dB/Div&10dB/Div

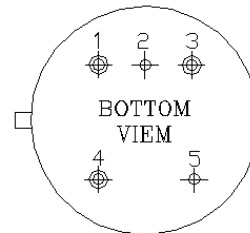
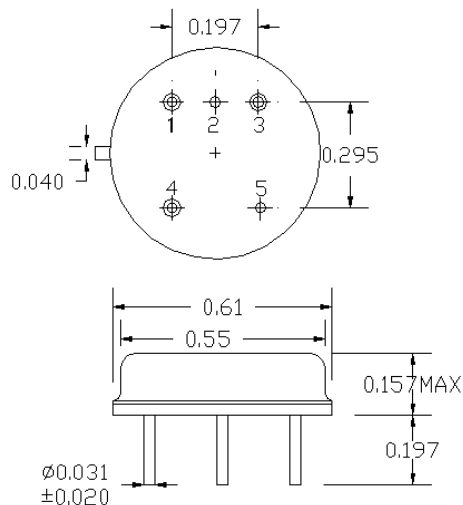


Horizontal: 2MHz/Div
Vertical: 50nsec/Div&10dB/Div

Specifications

Parameter	Unit	Minimum	Typical	Maximum
Center Frequency	MHz	194.90	195.00	195.10
Insertion Loss	dB		20.00	22.00
192.25MHz	dB		-0.80	-1.00
198.75MHz	dB		-1.00	-1.20
191.00MHz	dB	-10.00	-12.00	
Passband Variation	dB		1.00	1.20
Group Delay Variation	nsec		40	60
Absolute Delay	usec		0.80	0.82
Ultimate Rejection	dB	40	42	
Substrate Material	-		128-LiNbO3	
Ambient Temperature	°C	-40	25	80

Package SFA02



SFA02
IN: 4
OUT: 3
GND: 1,2,5