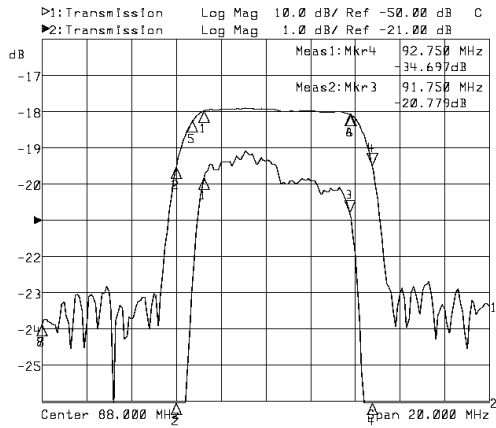


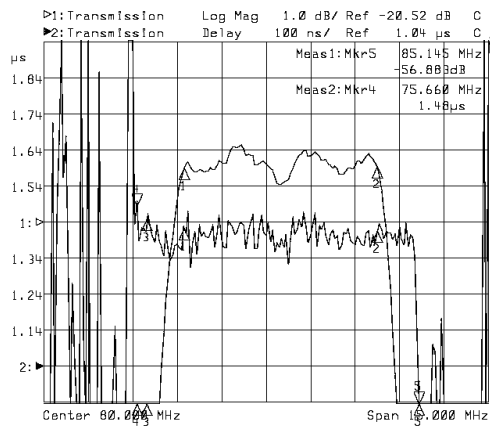
CATV VSB Filter For TV Modulator (PAL D/K)

Part Number CH5B

Typical Performance



Horizontal: 2MHz/Div
Vertical: 1dB/Div&10dB/Div

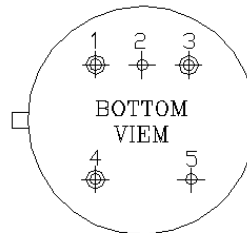
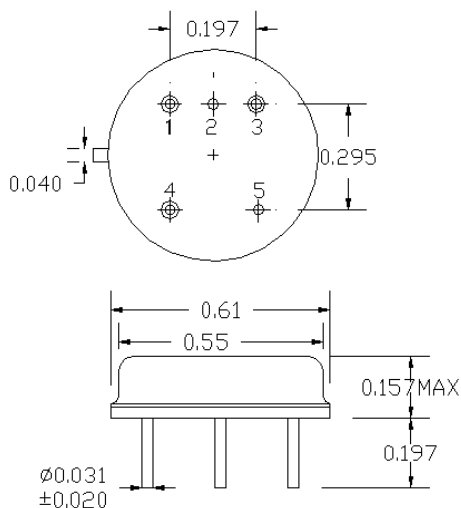


Horizontal: 1.5MHz/Div
Vertical: 100nsec/Div&10dB/Div

Specifications

Parameter	Unit	Minimum	Typical	Maximum
Center Frequency	MHz	87.50	88.00	88.50
Insertion Loss	dB		18.0	20.00
85.25MHz	dB		-0.80	-1.20
91.75MHz	dB		-0.80	-1.50
84.00MHz	dB	-12.00	-15.00	
Passband Variation	dB		0.80	1.20
Group Delay Variation	nsec		80	100
Absolute Delay	usec		1.50	1.53
Ultimate Rejection	dB	45	50	
Substrate Material	-		128-LiNbO3	
Ambient Temperature	°C	-40	25	80

Package SFA02



SFA02
IN: 4
OUT: 3
GND: 1,2,5