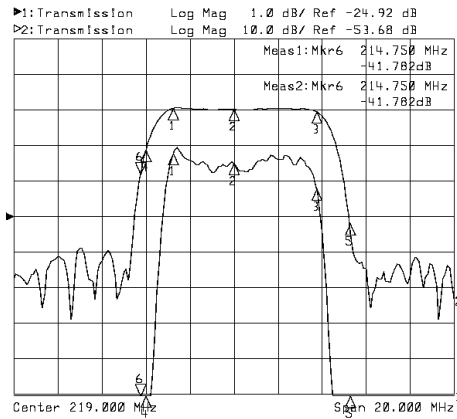


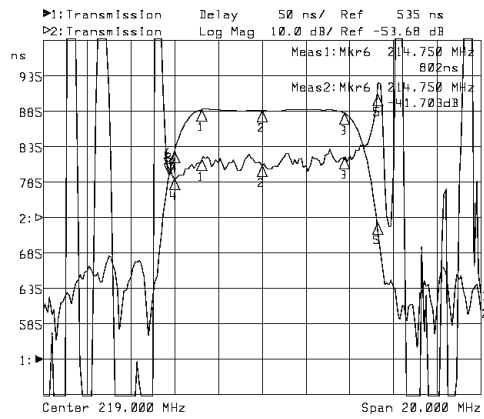
# CATV VSB Filter For TV Modulator (PAL D/K)

## Part Number CH12B

### Typical Performance



Horizontal: 2MHz/Div  
Vertical: 1dB/Div&10dB/Div

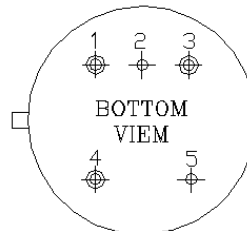
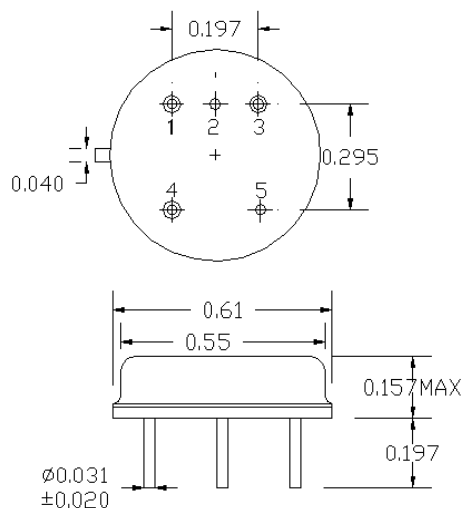


Horizontal: 2MHz/Div  
Vertical: 50nsec/Div&10dB/Div

### Specifications

Parameter	Unit	Minimum	Typical	Maximum
Center Frequency	MHz	218.90	219.00	219.10
Insertion Loss	dB		20.00	22.00
216.25MHz	dB		-0.80	-1.00
222.75MHz	dB		-1.00	-1.50
215.00MHz	dB	-10.01	-12.00	
Passband Variation	dB		0.80	1.00
Group Delay Variation	nsec		40	60
Absolute Delay	usec		0.70	0.72
Ultimate Rejection	dB	38	40	
Substrate Material	-		128-LiNbO3	
Ambient Temperature	°C	-40	25	80

### Package SFA02



SFA02  
IN: 4  
OUT: 3  
GND: 1,2,5