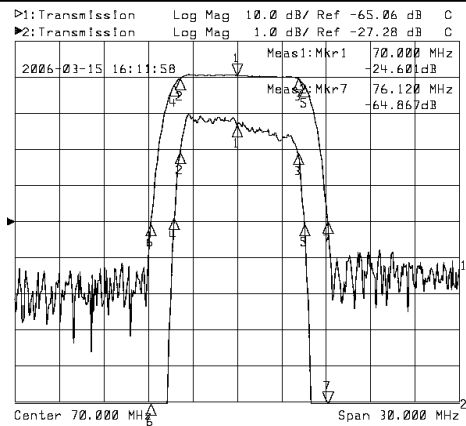


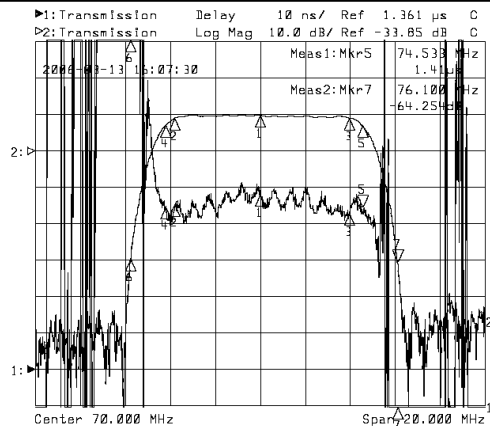
70MHz Standard Filter

Part Number 070088

Typical Performance



Horizontal: 3MHz/Div
Vertical: 10dB/Div & 1dB/Div

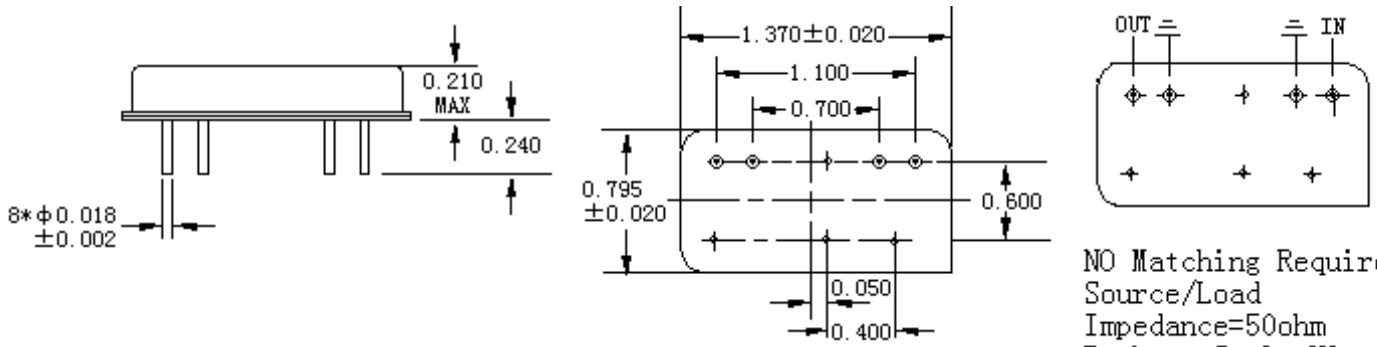


Horizontal: 2MHz/Div
Vertical: 10dB/Div & 10ns/Div

Specifications

Parameter	Unit	Minimum	Typical	Maximum
Center Frequency	MHz	69.90	70.00	70.10
Insertion Loss at F0	dB		24.10	24.70
1 dB Bandwidth	MHz	8.00	8.10	
3 dB Bandwidth	MHz	8.60	8.80	
40dB Bandwidth	MHz		11.85	12.00
Passband Variation	dB		0.70	0.80
Group Delay Variation	nsec		12	15
Absolute Delay	usec		1.41	
Ultimate Rejection	dB	48	50	
Substrate Material	-		YZ-LiNbO3	
Ambient Temperature	°C	-40	25	80

Package



NO Matching Required
 Source/Load
 Impedance=50ohm
 Package Style XQ